



RA13NZ

Parts List
16-May-2023



*This parts list is current as of the above revision date.
See <http://www.rheempartslists.net/92-42800-RA13NZ.pdf> for the current revision.*

Condensing Units

Table of Contents

Model Explanation	Page 3
Parts Numbers	
Panels - Miscellaneous	Page 4
Electrical-Fan Group	Page 5
Coil Parts	Page 6
Compressor Group	Page 7
Accessories	Page 8
Drawings/Photographs	
Exploded View	Page 9
Control Box	Page 10
Valve Mounting, Compressor	Page 11
LPC, HPC Option	Page 12
Notes/Disclaimer	Page 13

MODEL NUMBER EXPLANATION

R	A	1	3	N	Z	1	8	A	J	1	N	A	XXX
1	2	3		4	5	6		7	8	9	10	11	12

- | | |
|--|---|
| <p>(1) BRAND
R = Rheem</p> <p>(2) PRODUCT CATEGORY
A = Air Conditioner</p> <p>(3) SEER2
13 = 13.4 SEER2</p> <p>(4) REGION
A = All Regions
S = SouthEast
N = North</p> <p>(5) REFIGERANT
Z = R-410A
Y = R-454B</p> <p>(6) COOLING CAPACITY (BTU/HR)
018 = 18,000 042 = 42,000
024 = 24,000 048 = 48,000
030 = 30,000 060 = 60,000
036 = 36,000</p> | <p>(7) MAJOR SERIES
A = First Design Series</p> <p>(8) VOLTAGE
J = 208-230/1/60
C = 208-230/3/60
D = 460/3/60</p> <p>(9) TYPE
1 = Single Stage</p> <p>(10) CONTROLS
N = Non-Communicating</p> <p>(11) MINOR SERIES
A = First Design Series</p> <p>(12) OPTION
LHP = W/ HPC and LPC
RHC = Reliance
RHP = Reliance W/ HPC and LPC</p> |
|--|---|

SERIAL NUMBER EXPLANATION

W	0	8	1	3	9	9	9	9
(1)	(2)		(3)		(4)			

- (1) **PLANT CODE**
W = West Nuevo Laredo
- (2) **WEEK OF PRODUCTION**
- (3) **YEAR OF PRODUCTION**
- (4) **PRODUCTION NUMBER**

Note: For Compressor Identification Number, see Compressor Code on Rating Plate

No.	Notes	MODEL COOLING CAPACITY VARIATION	RA13NZ 18 AJ1NA	RA13NZ 24 AJ1NA	RA13NZ 30 AJ1NA	RA13NZ 36 AJ1NA	
SHEET METAL PARTS, MISCELLANEOUS							
1		Front Panel	AE-104456-07	AE-104456-18*	AE-104456-18*	AE-104456-18*	
2		Left Panel (Badge Panel)	AE-104456-09	AE-104456-20*	AE-104456-20*	AE-104456-20*	
3		Back Panel	AE-104456-08	AE-104456-19*	AE-104456-19*	AE-104456-19*	
4		Right Panel	AE-104456-07	AE-104456-18*	AE-104456-18*	AE-104456-18*	
5		Base Pan	68-104457-01	68-104457-02	68-104457-02	68-104457-02	
6		Control Box	AE-104461-05	AE-104461-05	AE-104461-05	AE-104461-05	
7		Control Box Cover	AS-104462-01H	AS-104462-01H	AS-104462-01H	AS-104462-01H	
8		Control Box Bracket	AS-104460-01H	AS-104460-01H	AS-104460-01H	AS-104460-01H	
9		Service Door	AS-104525-01H	AS-104525-01H	AS-104525-01H	AS-104525-01H	
10		Center Post (2)	AS-104459-01H	AS-104459-01H	AS-104459-01H	AS-104459-01H	
12		Corner Post - Louvered (3)	AS-104469-01H	AS-104469-01H	AS-104469-01H	AS-104469-01H	
13		Top Panel	AS-104458-01H	AS-104458-02H	AS-104458-02H	AS-104458-02H	
14		Venturi	68-104464-02	68-104464-04	68-104464-04	68-104464-04	
15		Grille	95-104620-01	95-104620-02	95-104620-02	95-104620-02	
16		Bushing Universal - Open/Closed	45-103252-02	45-103252-02	45-103252-02	45-103252-02	
17		Bushing - Star	45-18515-01	45-18515-01	45-18515-01	45-18515-01	
17a		Center Cap - Blank (for Grille)	91-105471-01	91-105471-01	91-105471-01	91-105471-01	
		Touch-up Paint - Granite/Steel Gray (Aerosol)	PD523018	PD523018	PD523018	PD523018	
		Touch-up Paint - Granite/Steel Gray (Paint Pens)	PD523019	PD523019	PD523019	PD523019	

No.	Notes	MODEL COOLING CAPACITY VARIATION	RA13NZ 42 AJ1NA	RA13NZ 48 AJ1NA	RA13NZ 60 AJ1NA		
SHEET METAL PARTS, MISCELLANEOUS							
1		Front Panel	AE-104456-03	AE-104456-43	AE-104456-46		
2		Left Panel (Badge Panel)	AE-104456-21	AE-104456-56	AE-104456-57		
3		Back Panel	AE-104456-04	AE-104456-44	AE-104456-47		
4		Right Panel	AE-104456-03	AE-104456-43	AE-104456-46		
5		Base Pan	68-104457-02	68-104457-03	68-104457-03		
6		Control Box	AE-104461-05	AE-104461-05	AE-104461-05		
7		Control Box Cover	AS-104462-01H	AS-104462-01H	AS-104462-01H		
8		Control Box Bracket	AS-104460-02H	AS-104460-05H	AS-104460-06H		
9		Service Door	AS-104525-01H	AS-104525-01H	AS-104525-01H		
10		Center Post (2)	AS-104459-03H	AS-104459-09H	AS-104459-11H		
12		Corner Post - Louvered (3)	AS-104469-02H	AS-104469-05H	AS-104469-06H		
13		Top Panel	AS-104458-02H	AS-104458-03H	AS-104458-03H		
14		Venturi	68-104464-04	68-104464-07	68-104464-07		
15		Grille	95-104620-02	95-104620-03	95-104620-03		
16		Bushing Universal - Open/Closed	45-103252-02	45-103252-02	45-103252-02		
17		Bushing - Star	45-18515-01	45-18515-01	45-18515-01		
17a		Center Cap - Blank (for Grille)	91-105471-01	91-105471-01	91-105471-01		
		Touch-up Paint - Granite/Steel Gray (Aerosol)	PD523018	PD523018	PD523018		
		Touch-up Paint - Granite/Steel Gray (Paint Pens)	PD523019	PD523019	PD523019		

No.	Notes	MODEL COOLING CAPACITY VARIATION	RA13NZ 18 AJ1NA	RA13NZ 24 AJ1NA	RA13NZ 30 AJ1NA	RA13NZ 36 AJ1NA		
ELECTRICAL/FAN GROUP								
20	Stk	Fan Motor	51-108708-01	51-102008-20	51-102008-20	51-102008-20		
21	Stk	Fan Blade	70-101323-62*	70-109298-02*	70-109298-02*	70-109298-02*		
22	Stk	Contactora	42-102664-05	42-102664-05	42-102664-05	42-102664-05		
23	Stk	Capacitor	See Compressor Group					
23a		Capacitor Strap	AE-104562-01	AE-104562-01	AE-104562-01	AE-104562-01		
25		Crankcase Heater	See Compressor Group					
26		Grounding Lug	45-19000-01	45-19000-01	45-19000-01	45-19000-01		
		Low Ambient Control	See Accessories Group					
27	Stk	Low Pressure Control - Units W/ LHP Option	47-103670-08	47-103670-08	47-103670-08	47-103670-08		
27a		Valve Body - Low Pressure Control	61-18542-01	61-18542-01	61-18542-01	61-18542-01		
28	Stk	High Pressure Control - Unit W/ LHP Option	47-102290-01	47-102290-01	47-102290-01	47-102290-01		

No.	Notes	MODEL COOLING CAPACITY VARIATION	RA13NZ 42 AJ1NA	RA13NZ 48 AJ1NA	RA13NZ 60 AJ1NA			
ELECTRICAL/FAN GROUP								
20	Stk	Fan Motor	51-102008-20	51-102008-34	51-102008-34			
21	Stk	Fan Blade	70-102345-23	70-109298-01*	70-109298-01*			
22	Stk	Contactora	42-102664-05	42-102664-10	42-102664-10			
23		Capacitor	See Compressor Group					
23a		Capacitor Strap	AE-104562-01	AE-104562-01	AE-104562-01			
25		Crankcase Heater	See Compressor Group					
26		Grounding Lug	45-19000-01	45-19000-01	45-19000-01			
		Low Ambient Control	See Accessories Group					
27	Stk	Low Pressure Control - Units W/ LHP Option	47-103670-08	47-103670-08	47-103670-08			
27a		Valve Body - Low Pressure Control	61-18542-01	61-18542-01	61-18542-01			
28	Stk	High Pressure Control - Unit W/ LHP Option	47-102290-01	47-102290-01	47-102290-01			

No.	Notes	MODEL COOLING CAPACITY VARIATION	RA13NZ 18 AJ1NA	RA13NZ 24 AJ1NA	RA13NZ 30 AJ1NA	RA13NZ 36 AJ1NA		
COIL GROUP								
30	Stk	Condenser Coil	AS-108810-03*	AS-108678-03*	AS-108678-03*	AS-109022-03*		
31		Service Valve - Suction	61-104914-03	61-104914-03	61-104914-03	61-104914-03		
32		Service Valve - Liquid	61-104914-05	61-104914-05	61-104914-05	61-104914-05		
33a		Access Valve Core	61-18551-01	61-18551-01	61-18551-01	61-18551-01		
33b		Access Valve Cap (Brass)	83-100635-01	83-100635-01	83-100635-01	83-100635-01		
27	Stk	Low Pressure Control	See Electrical Group					
28	Stk	High Pressure Control	See Electrical Group					
	Stk	Filter Drier	83-104826-03	83-104826-03	83-104826-03	83-104826-03		

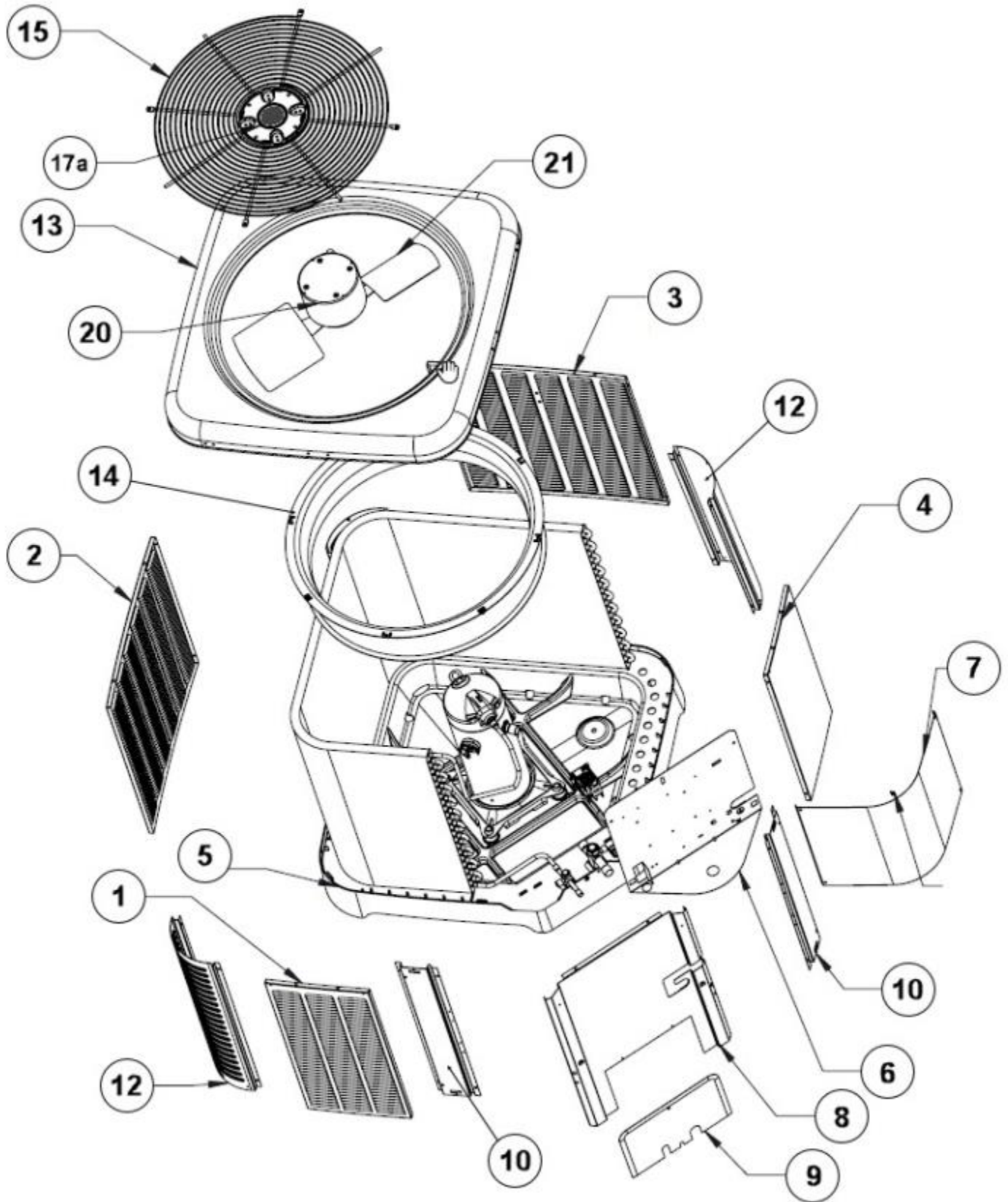
No.	Notes	MODEL COOLING CAPACITY VARIATION	RA13NZ 42 AJ1NA	RA13NZ 48 AJ1NA	RA13NZ 60 AJ1NA			
COIL GROUP								
30	Stk	Condenser Coil	AS-108781-03*	AS-108777-03*	AS-105371-03			
31		Service Valve - Suction	61-104914-04	61-104914-04	61-104914-04			
32		Service Valve - Liquid	61-104914-05	61-104914-05	61-104914-05			
33a		Valve Core	61-18551-01	61-18551-01	61-18551-01			
33b		Valve Cap	83-100635-01	83-100635-01	83-100635-01			
27	Stk	Low Pressure Control	See Electrical Group					
28	Stk	High Pressure Control	See Electrical Group					
	Stk	Filter Drier	83-104826-03	83-104826-03	83-104826-03			

No.	Notes	MODEL COOLING CAPACITY VARIATION	RA13NZ 18 AJ1NA	RA13NZ 24 AJ1NA	RA13NZ 30 AJ1NA	RA13NZ 36 AJ1NA		
COMPRESSOR GROUP								
		Compressor ID:	9830	9831	9832	9833		
40	Stk	Compressor	55-102045-183*	55-102045-196*	55-102045-185*	55-102045-186*		
		Compressor Grommet (4)	56-18518-04	56-18518-04	56-18518-04	56-18518-04		
		Compressor Bolt (4)	63-20072-07	63-20072-07	63-20072-07	63-20072-07		
23	Stk	Capacitor - Compressor/Fan	43-101665-06	43-101665-06	43-101665-10	43-101665-13		
23	Stk	Capacitor - Fan	N/A	N/A	N/A	N/A		
	Stk	Compressor Wiring Harness (Molded Plug)	45-100834-04	45-100834-02	45-100834-02	45-100834-02		
25		Crankcase Heater	See Accessories Group					
		Filter Drier	See Coil Group					

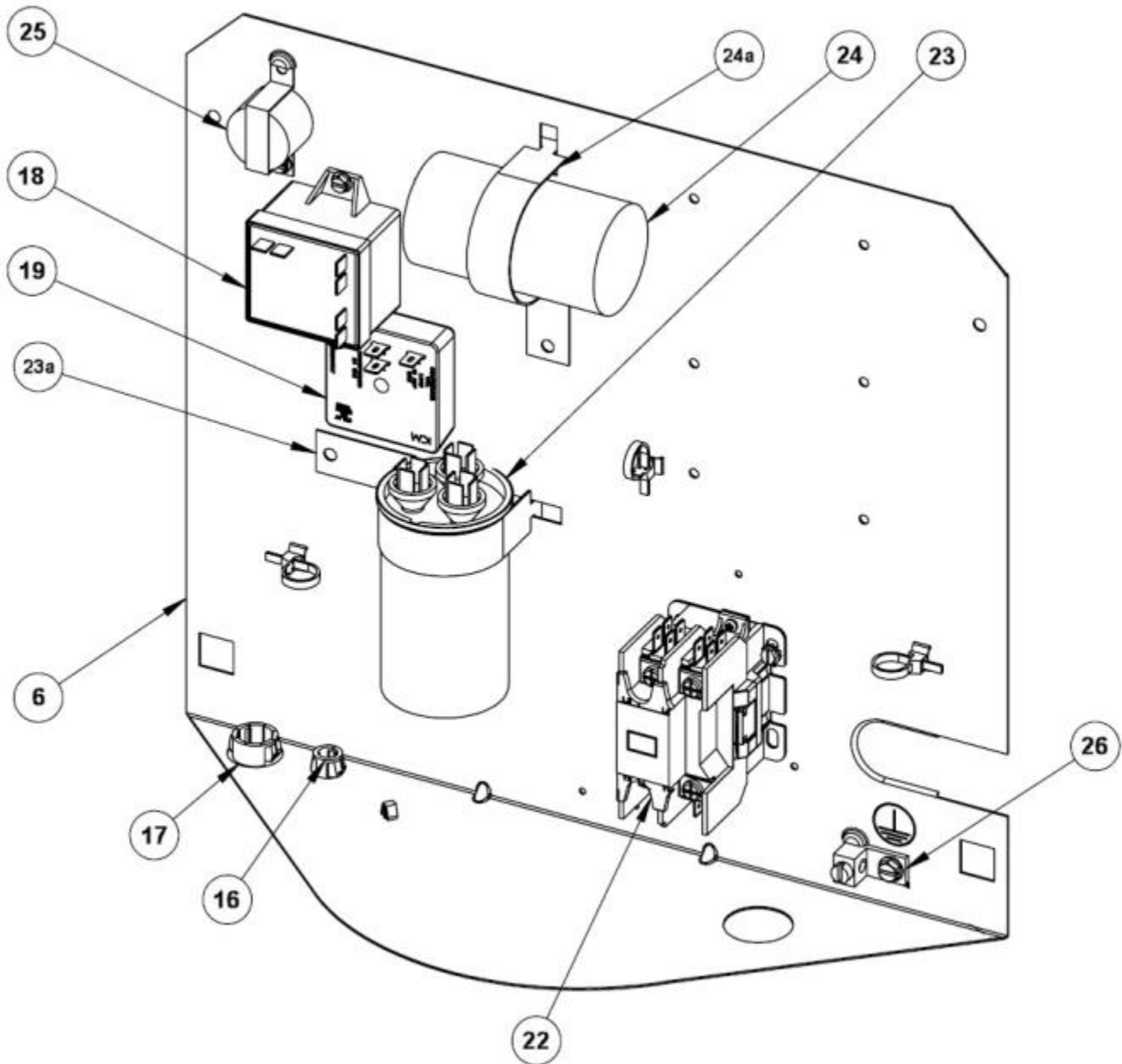
No.	Notes	MODEL COOLING CAPACITY VARIATION	RA13NZ 42 AJ1NA	RA13NZ 48 AJ1NA	RA13NZ 60 AJ1NA			
COMPRESSOR GROUP								
		Compressor ID:	9835	9836	9837			
40	Stk	Compressor	55-102045-222*	55-102045-189*	55-102045-187*			
		Compressor Grommet (4)	56-18518-06	56-18518-06	56-18518-06			
		Compressor Bolt (4)	63-20072-07	63-20072-07	63-20072-07			
23	Stk	Capacitor - Compressor/Fan	43-101665-13	43-101665-13	43-101665-59			
23	Stk	Capacitor - Fan	N/A	N/A	N/A			
	Stk	Compressor Wiring Harness (Molded Plug)	45-100834-01	45-100834-01	45-100834-01			
25		Crankcase Heater	See Accessories Group			44-103663-13		
		Filter Drier	See Coil Group					

No.	Notes	MODEL COOLING CAPACITY VARIATION	RA13NZ 18 AJ1NA	RA13NZ 24 AJ1NA	RA13NZ 30 AJ1NA	RA13NZ 36 AJ1NA	
ACCESSORIES							
		Low Ambient Control	RXAD-A08	RXAD-A08	RXAD-A08	RXAD-A08	
		Compressor Crankcase Heater	44-17402-44	44-17402-44	44-17402-44	44-17402-44	
		Compressor Sound Cover	68-23427-26	68-23427-26	68-23427-26	68-23427-26	
		Compressor Time Delay	RXMD-B01	RXMD-B01	RXMD-B01	RXMD-B01	
		Low Pressure Control	RXAC-A10	RXAC-A10	RXAC-A10	RXAC-A10	
		High Pressure Control	RXAB-A08	RXAB-A08	RXAB-A08	RXAB-A08	
		Compressor Hard Start Kit	SK-A1	SK-A1	SK-A1	SK-A1	

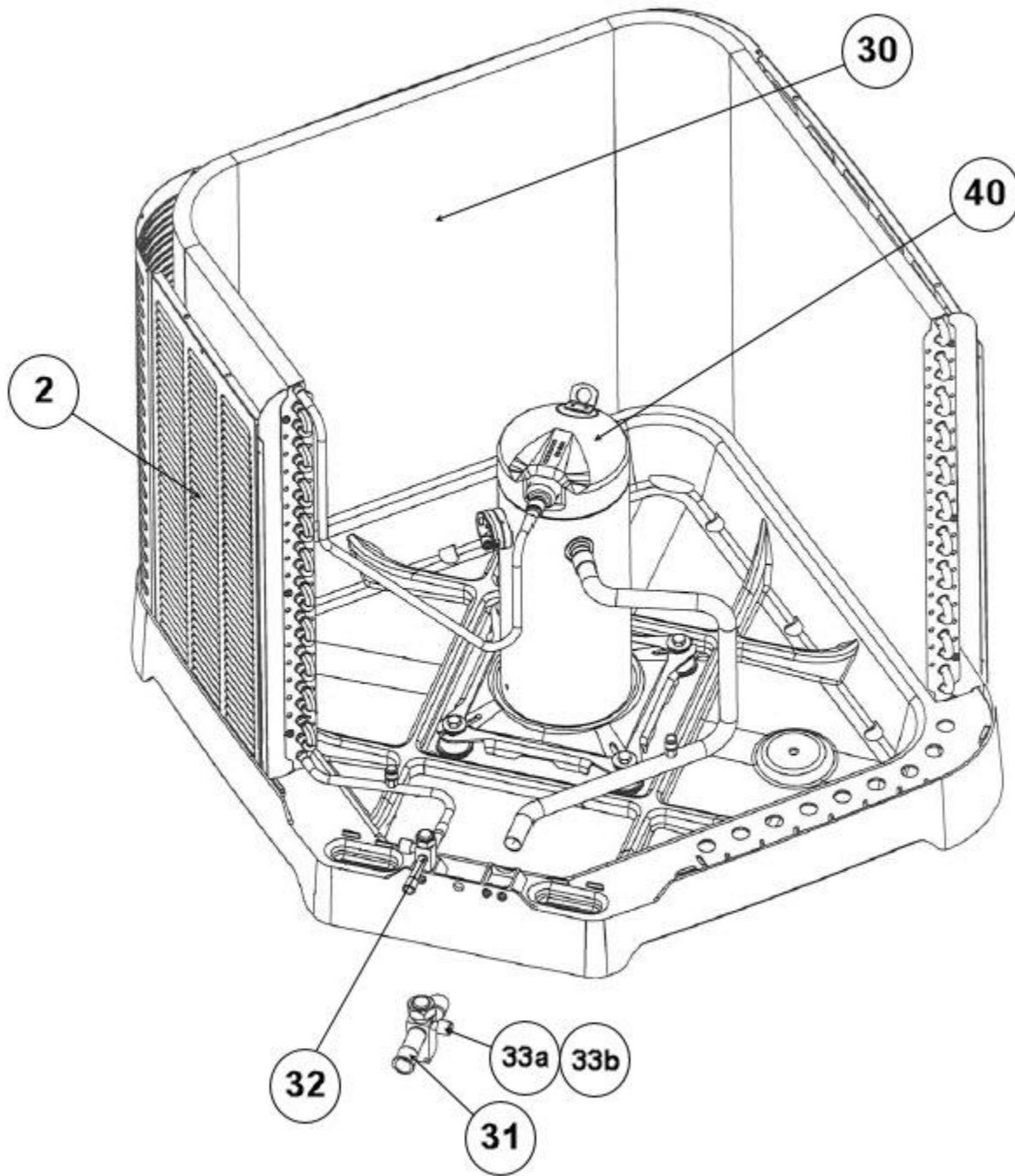
No.	Notes	MODEL COOLING CAPACITY VARIATION	RA13NZ 42 AJ1NA	RA13NZ 48 AJ1NA	RA13NZ 60 AJ1NA		
ACCESSORIES							
		Low Ambient Control	RXAD-A08	RXAD-A08	RXAD-A08		
		Compressor Crankcase Heater	44-17402-45	44-17402-45	See Compressor Group		
		Compressor Sound Cover	68-23427-25	68-23427-25	68-23427-25		
		Compressor Time Delay	RXMD-B01	RXMD-B01	RXMD-B01		
		Low Pressure Control	RXAC-A10	RXAC-A10	RXAC-A10		
		High Pressure Control	RXAB-A08	RXAB-A08	RXAB-A08		
		Compressor Hard Start Kit	SK-A1	SK-A1	SK-A1		



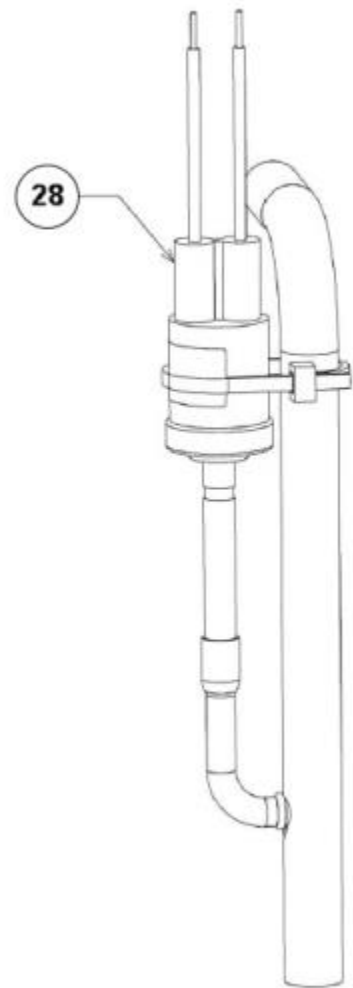
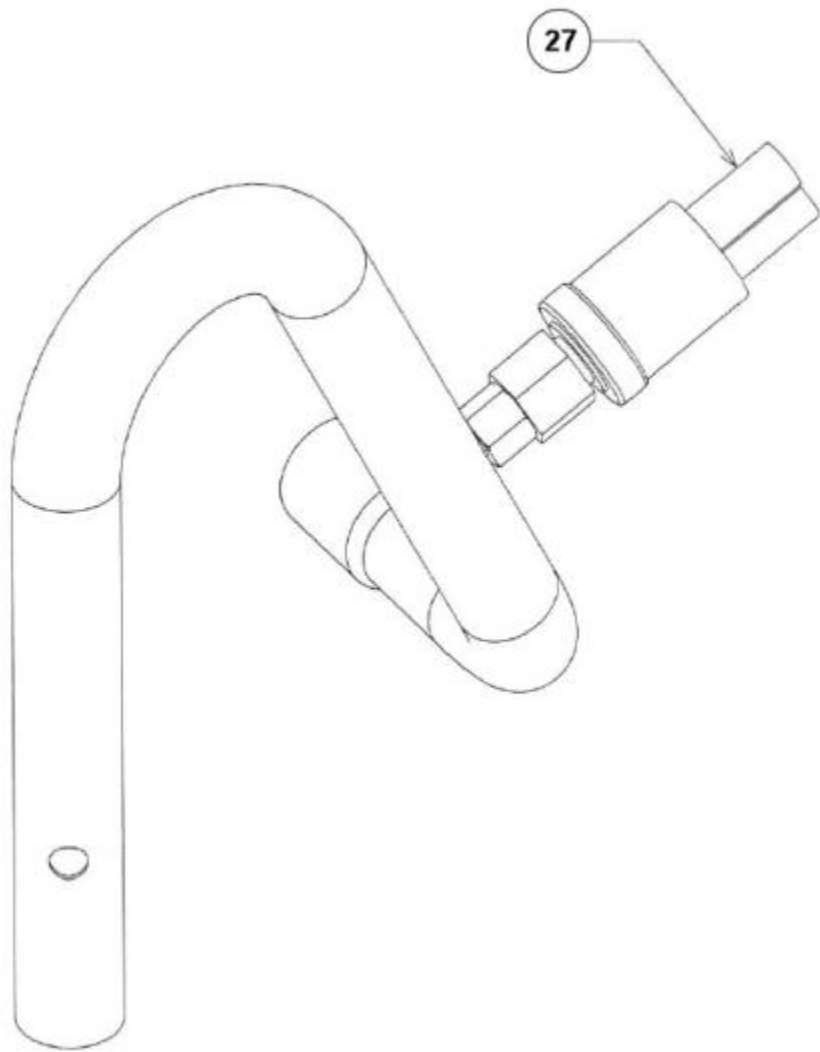
Exploded View



Control Box



Valve Mounting, Compressor



LPC, HPC Option

NOTES

Stk It is recommended that stock be maintained for this part.

N/A Not Applicable

1 Production has utilized both Three-phase and Single-phase fan motors on some units. For these, it is necessary to verify motor type before ordering.

(*) *NOTE*: Parts with an asterisk (*) denote new parts for M1 products only.

DISCLAIMER: This document is intended to provide general replacement parts information to aid qualified service personnel in the repair of these models. The complete Model and Serial Number of the unit under repair should be specified when selecting and ordering replacement parts. Specifications and illustrations are subject to change without notice. Document 92-42800-RA13NZ supersedes all previous parts lists for these models. See <http://www.rheempartslists.net/92-42800-RA13NZ> for the latest revision of this document. The manufacturer assumes no obligation for errors or omissions. Service personnel must verify the proper and safe operation of equipment after the replacement of any original components.