



RP14AZ

Parts List
12-April-2023



*This parts list is current as of the above revision date.
See <http://www.rheempartslists.net/92-42800-RP14AZ.pdf> for the current revision.*

Heat Pumps

Table of Contents

Model Explanation	Page 3
Parts Numbers	
Panels	Page 4
Electrical-Fan Group	Page 5
Coil Parts	Page 6
Compressor Group	Page 7
Accessories	Page 8
Drawings/Photographs	
Exploded View	Page 9
Control Box	Page 10
Valve Mounting, Compressor	Page 11
Notes/Disclaimer	Page 12

MODEL NUMBER EXPLANATION

R	P	1	4	A	Z	1	8	A	J	1	N	A	XXX
1	2	3		4	5	6		7	8	9	10	11	12

- | | |
|---|---|
| <p>(1) BRAND
R = Rheem</p> <p>(2) PRODUCT CATEGORY
P = Heat Pump</p> <p>(3) SEER2
14 = 14.3 SEER2</p> <p>(4) REGION
A = All Regions</p> <p>(5) REFRIGERANT
Z = R-410A
Y = R-454B</p> <p>(6) COOLING CAPACITY (BTU/HR)
018 = 18,000 042 = 42,000
024 = 24,000 048 = 48,000
030 = 30,000 060 = 60,000
036 = 36,000</p> | <p>(7) MAJOR SERIES
A = First Major Design Series
B = Second Major Design Series</p> <p>(8) VOLTAGE
J = 208-230/1/60
C = 208-230/3/60
D = 460/3/60</p> <p>(9) TYPE
1 = Single Stage
2 = Two Stage</p> <p>(10) CONTROLS
N = Non-Communicating</p> <p>(11) MINOR SERIES
A = First Design Series</p> <p>(12) OPTION
LHP = W/ HPC and LPC</p> |
|---|---|

SERIAL NUMBER EXPLANATION

W	0	8	1	3	9	9	9	9
(1)	(2)		(3)		(4)			

- (1) **PLANT CODE**
W = West Nuevo Laredo
- (2) **WEEK OF PRODUCTION**
- (3) **YEAR OF PRODUCTION**
- (4) **PRODUCTION NUMBER**

Note: For Compressor Identification Number, see Compressor Code on Rating Plate

No.	Notes	MODEL COOLING CAPACITY VARIATION	RP14AZ 18 AJ1NA/AJ2NA	RP14AZ 24 AJ2NA	RP14AZ 30 AJ2NA	RP14AZ 36 AJ2NA	RP14AZ 42 AJ2NA	
SHEET METAL PARTS, MISCELLANEOUS								
1		Front Panel	AE-104456-07	AE-104456-07	AE-104456-03	AE-104456-25	AE-104456-25	
2		Left Panel (Badge Panel)	AE-104456-09	AE-104456-09	AE-104456-21	AE-104456-41	AE-104456-41	
3		Back Panel	AE-104456-08	AE-104456-08	AE-104456-04	AE-104456-26	AE-104456-26	
4		Right Panel	AE-104456-07	AE-104456-07	AE-104456-03	AE-104456-25	AE-104456-25	
5		Base Pan	68-104457-01	68-104457-01	68-104457-02	68-104457-02	68-104457-02	
6		Control Box	AE-104461-05	AE-104461-05	AE-104461-05	AE-104461-05	AE-104461-05	
7		Control Box Cover	AS-104462-01H	AS-104462-01H	AS-104462-01H	AS-104462-01H	AS-104462-01H	
8		Control Box Bracket	AS-104460-01H	AS-104460-01H	AS-104460-02H	AS-104460-04H	AS-104460-04H	
9		Service Door	AS-104525-01H	AS-104525-01H	AS-104525-01H	AS-104525-01H	AS-104525-01H	
10		Center Post (2)	AS-104459-01H	AS-104459-01H	AS-104459-03H	AS-104459-07H	AS-104459-07H	
12		Corner Post - Louvered	AS-104469-01H (3)	AS-104469-01H (3)	AS-104469-02H (3)	AS-104469-04H (3)	AS-104469-04H (3)	
13		Top Panel	AS-104458-01H	AS-104458-01H	AS-104458-02H	AS-104458-02H	AS-104458-02H	
14		Venturi	68-104464-02	68-104464-02	68-104464-04	68-104464-06	68-104464-06	
15		Grille	95-104620-01	95-104620-01	95-104620-02	95-104620-02	95-104620-02	
		Center Cap - Blank (for Grille)	91-105471-01	91-105471-01	91-105471-01	91-105471-01	91-105471-01	
		Service Valve - Suction	See Coil Group					
		Service Valve - Liquid	See Coil Group					
		Touch-up Paint - Granite/Steel Gray (Aerosol)	PD523018	PD523018	PD523018	PD523018	PD523018	
		Touch-up Paint - Granite/Steel Gray (Paint Pens)	PD523019	PD523019	PD523019	PD523019	PD523019	

No.	Notes	MODEL COOLING CAPACITY VARIATION	RP14AZ 48 AJ2NA	RP14AZ 60 AJ2NA				
SHEET METAL PARTS, MISCELLANEOUS								
1		Front Panel	AE-104456-25	AE-104456-46				
2		Left Panel (Badge Panel)	AE-104456-41	AE-104456-57				
3		Back Panel	AE-104456-26	AE-104456-47				
4		Right Panel	AE-104456-25	AE-104456-46				
5		Base Pan	68-104457-02	68-104457-03				
6		Control Box	AE-104461-05	AE-104461-05				
7		Control Box Cover	AS-104462-01H	AS-104462-01H				
8		Control Box Bracket	AS-104460-04H	AS-104460-06H				
9		Service Door	AS-104525-01H	AS-104525-01H				
10		Center Post (2)	AS-104459-07H	AS-104459-11H				
12		Corner Post - Louvered	AS-104469-04H (3)	AS-104469-06H (3)				
13		Top Panel	AS-104458-02H	AS-104458-03H				
14		Venturi	68-104464-06	68-104464-05				
15		Grille	95-104620-02	95-104620-03				
		Center Cap - Blank (for Grille)	91-105471-01	91-105471-01				
		Service Valve - Suction	See Coil Group					
		Service Valve - Liquid	See Coil Group					
		Touch-up Paint - Granite/Steel Gray (Aerosol)	PD523018	PD523018				
		Touch-up Paint - Granite/Steel Gray (Paint Pens)	PD523019	PD523019				

No.	Notes	MODEL COOLING CAPACITY VARIATION	RP14AZ 18 AJ1NA	RP14AZ 18 AJ2NA	RP14AZ 24 AJ2NA	RP14AZ 30 AJ2NA	RP14AZ 36 AJ2NA	
ELECTRICAL/FAN GROUP								
20	Stk	Fan Motor	51-108708-11	51-104691-06	51-108708-01	51-102008-34	51-102008-34	
21	Stk	Fan Blade	70-101323-33	70-101323-33	70-101323-32	70-102011-12	70-101323-30	
22	Stk	Contactora	42-102664-05	42-102664-05	42-102664-05	42-102664-05	42-102664-05	
23		Capacitor	See Compressor Group					
23a		Capacitor Strap	AE-104562-01	AE-104562-01	AE-104562-01	AE-104562-01	AE-104562-01	
24	Stk	Defrost Control Board	47-102684-14	47-102684-14	47-102684-14	47-102684-14	47-102684-14	
		Ambient Sensor	47-102709-04	47-102709-04	47-102709-04	47-102709-04	47-102709-04	
		Coil Sensor	47-102710-41*	47-102710-41*	47-102710-41*	47-102710-41*	47-102710-41*	
25		Crankcase Heater	See Compressor Group					
26		Grounding Lug	45-19000-01	45-19000-01	45-19000-01	45-19000-01	45-19000-01	
		Low Ambient Control	See Accessories Group					
27	Stk	Low Pressure Control	47-103670-05	47-103670-05	47-103670-05	47-103670-05	47-103670-05	
27a		Service Port - Low Pressure Control	61-18542-01	61-18542-01	61-18542-01	61-18542-01	61-18542-01	
28	Stk	High Pressure Control	47-103669-01	47-103669-01	47-103669-01	47-103669-01	47-103669-01	

No.	Notes	MODEL COOLING CAPACITY VARIATION	RP14AZ 42 AJ2NA	RP14AZ 48 AJ2NA	RP14AZ 60 AJ2NA			
ELECTRICAL/FAN GROUP								
20	Stk	Fan Motor	51-102008-34	51-102008-34	51-102008-29			
21	Stk	Fan Blade	70-101323-30	70-101323-30	70-101323-29			
22	Stk	Contactora	42-102664-05	42-102664-05	42-102664-10			
23		Capacitor	See Compressor Group					
23a		Capacitor Strap	AE-104562-01	AE-104562-01	AE-104562-01			
24	Stk	Defrost Control Board	47-102684-14	47-102684-14	47-102684-14			
		Ambient Sensor	47-102709-04	47-102709-04	47-102709-04			
		Coil Sensor	47-102710-41*	47-102710-41*	47-102710-41*			
25		Crankcase Heater	See Compressor Group					
26		Grounding Lug	45-19000-01	45-19000-01	45-19000-01			
		Low Ambient Control	See Accessories Group					
27	Stk	Low Pressure Control	47-103670-05	47-103670-05	47-103670-10			
27a		Service Port - Low Pressure Control	61-18542-01	61-18542-01	61-18542-01			
28	Stk	High Pressure Control	47-103669-01	47-103669-01	47-103669-02			

No.	Notes	MODEL COOLING CAPACITY VARIATION	RP14AZ	RP14AZ	RP14AZ	RP14AZ	RP14AZ	
			18 AJ1NA/AJ2NA	24 AJ2NA	30 AJ2NA	36 AJ2NA	42 AJ2NA	
COIL GROUP								
30	Stk	Condenser Coil	AS-108292-03*	AS-108292-03*	AS-108172-03*	AS-108641-03*	AS-108309-03*	
31		Service Valve - Suction	61-104914-03	61-104914-03	61-104914-03	61-104914-03	61-104914-04	
32		Service Valve - Liquid	61-104914-05	61-104914-05	61-104914-05	61-104914-05	61-104914-05	
33		Bulkhead Valve	61-22369-04	61-22369-04	61-22369-04	61-22369-04	61-22369-04	
33a		Valve Core	61-18551-01	61-18551-01	61-18551-01	61-18551-01	61-18551-01	
33b		Valve Cap	83-100635-01	83-100635-01	83-100635-01	83-100635-01	83-100635-01	
		Locknut - Bulkhead Valve	63-22368-01	63-22368-01	63-22368-01	63-22368-01	63-22368-01	
27	Stk	Low Pressure Control	See Electrical Group					
28	Stk	High Pressure Control	See Electrical Group					
	Stk	Filter Drier	83-104825-01	83-104825-01	83-104825-01	83-104825-01	83-104825-01	
		Charge Compensator	N/A	N/A	83-104499-01	N/A	83-104499-11	
29a	Stk	TXV/Distributor Assembly	61-108300-05*	61-108300-05*	61-108300-01*	61-108300-07*	61-108300-02*	
29b	Stk	Reversing Valve	61-102498-15*	61-102498-15*	61-102498-17*	61-102498-17*	61-102498-16*	
	Stk	Solenoid Coil - Reversing Valve	61-101713-92	61-101713-92	61-101713-92	61-101713-92	61-101713-92	
		Wiring Harness - Reversing Valve	61-26149-05	61-26149-05	61-26149-05	61-26149-05	61-26149-05	

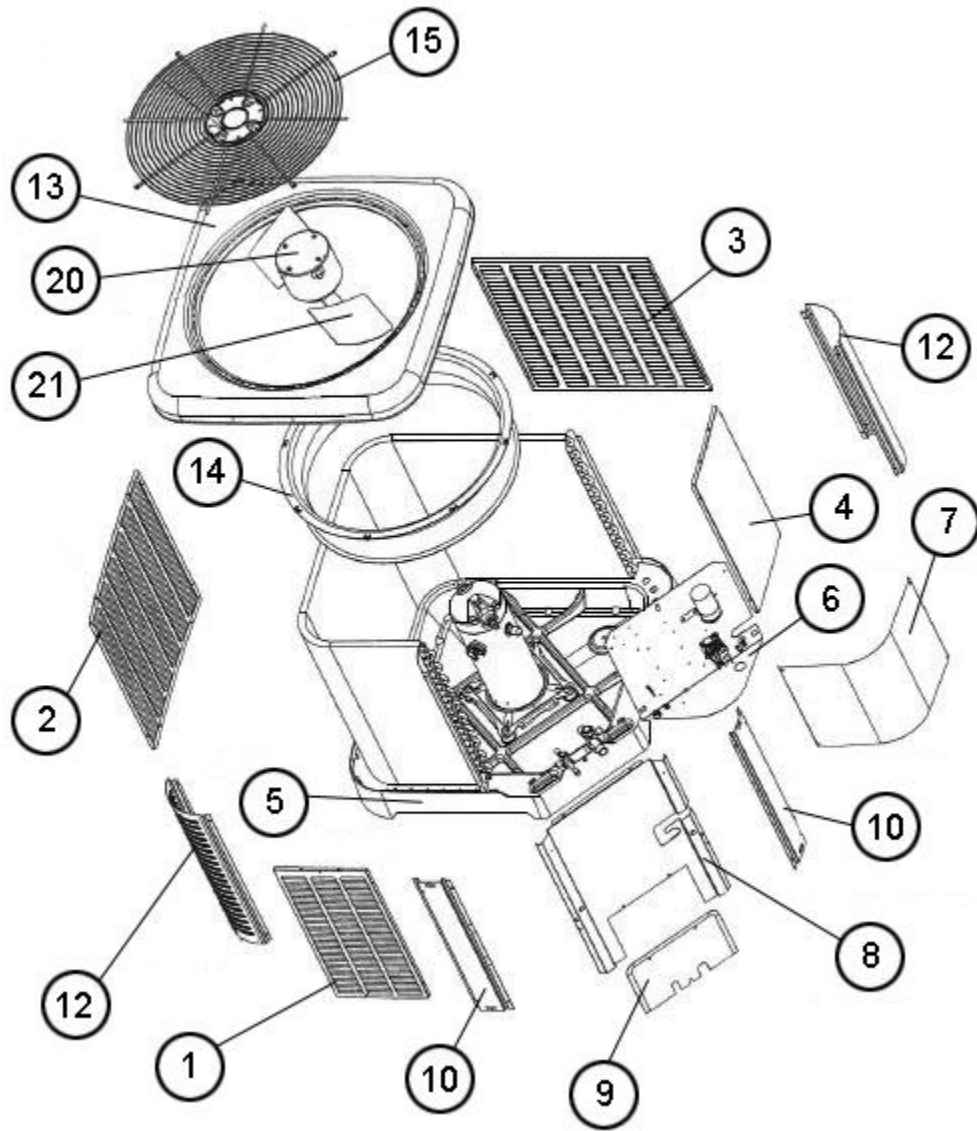
No.	Notes	MODEL COOLING CAPACITY VARIATION	RP14AZ	RP14AZ				
			48 AJ2NA	60 AJ2NA				
COIL GROUP								
30	Stk	Condenser Coil	AS-108358-03*	AS-108642-03*				
31		Service Valve - Suction	61-104914-04	61-104914-04				
32		Service Valve - Liquid	61-104914-05	61-104914-05				
33		Bulkhead Valve	61-22369-04	61-22369-04				
33a		Valve Core	61-18551-01	61-18551-01				
33b		Valve Cap	83-100635-01	83-100635-01				
		Locknut - Bulkhead Valve	63-22368-01	63-22368-01				
27	Stk	Low Pressure Control	See Electrical Group					
28	Stk	High Pressure Control	See Electrical Group					
	Stk	Filter Drier	83-104825-01	83-104825-01				
		Charge Compensator	83-104499-13	83-104499-12				
29a	Stk	TXV/Distributor Assembly	61-108300-03*	61-108300-08*				
29b	Stk	Reversing Valve	61-102498-16*	61-102498-16*				
	Stk	Solenoid Coil - Reversing Valve	61-101713-92	61-101713-92				
		Wiring Harness - Reversing Valve	61-26149-05	61-26149-05				

No.	Notes	MODEL COOLING CAPACITY VARIATION	RP14AZ 18 AJ1NA	RP14AZ 18 AJ2NA	RP14AZ 24 AJ2NA	RP14AZ 30 AJ2NA	RP14AZ 36 AJ2NA	
COMPRESSOR GROUP								
		Compressor ID:	9765	9740	9742	9744	9746	
40	Stk	Compressor	55-102045-226*	55-107225-192*	55-107225-184*	55-107225-193*	55-107225-194*	
		Compressor Grommet (4)	56-18518-04	56-18518-04	56-18518-04	56-18518-04	56-18518-04	
		Compressor Bolt (4)	63-20072-07	63-20072-07	63-20072-07	63-20072-07	63-20072-07	
23	Stk	Capacitor - Compressor/Fan	43-101665-60	43-101665-06	43-101665-06	43-101665-10	43-101665-10	
	Stk	Compressor Wiring Harness (Molded Plug)	45-100834-80	45-107231-01	45-107231-01	45-107231-01	45-107231-01	
25		Crankcase Heater	See Accessories Group					
		Muffler	83-104416-01	83-104416-01	83-104416-01	83-104416-01	83-104416-01	
		Filter Drier	See Coil Group					
		Charge Compensator	See Coil Group					

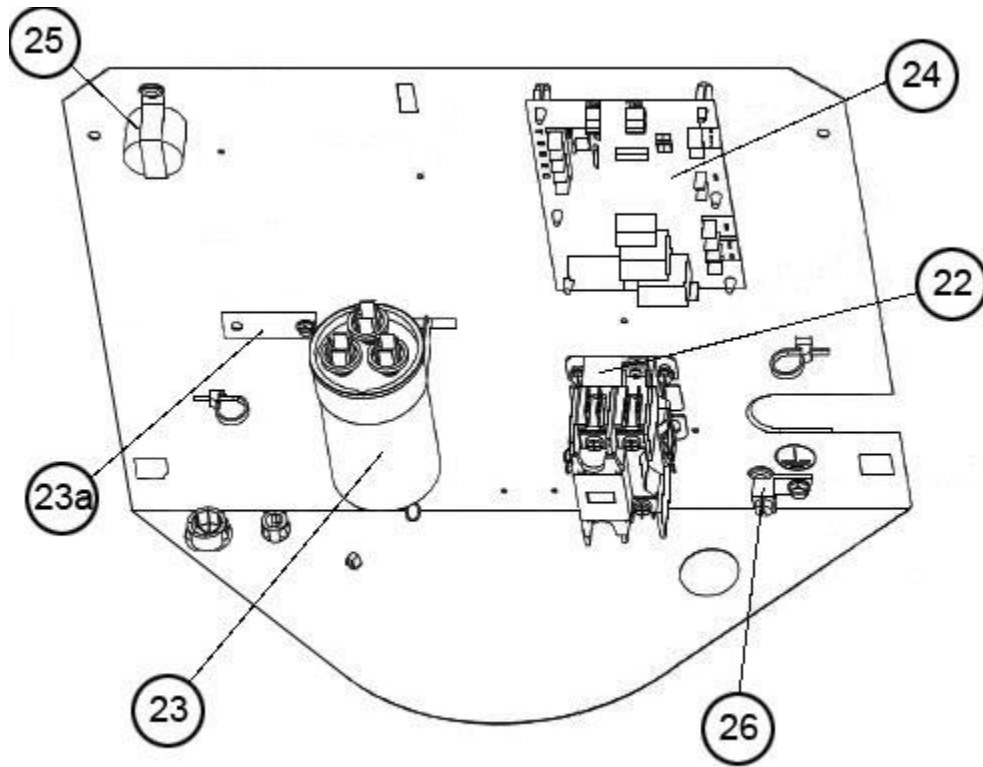
No.	Notes	MODEL COOLING CAPACITY VARIATION	RP14AZ 42 AJ2NA	RP14AZ 48 AJ2NA	RP14AZ 60 AJ2NA			
COMPRESSOR GROUP								
		Compressor ID:	9748	9750	9752			
40	Stk	Compressor	55-107225-190*	55-107225-195*	55-107225-191*			
		Compressor Grommet (4)	56-18518-06	56-18518-06	56-18518-06			
		Compressor Bolt (4)	63-20072-07	63-20072-07	63-20072-07			
23	Stk	Capacitor - Compressor/Fan	43-101665-13	43-101665-06	43-101665-13			
	Stk	Compressor Wiring Harness (Molded Plug)	45-107231-01	45-107231-01	45-107231-02			
25		Crankcase Heater	See Accessories Group					
		Muffler	83-104416-01	83-104416-01	83-104416-01			
		Filter Drier	See Coil Group					
		Charge Compensator	See Coil Group					

No.	Notes	MODEL COOLING CAPACITY VARIATION	RP14AZ 18 AJ1NA/AJ2NA	RP14AZ 24 AJ2NA	RP14AZ 30 AJ2NA	RP14AZ 36 AJ2NA	RP14AZ 42 AJ2NA
ACCESSORIES							
		Low Ambient Control	RXAD-A08	RXAD-A08	RXAD-A08	RXAD-A08	RXAD-A08
		Compressor Crankcase Heater	44-17402-44	44-17402-44	44-17402-44	44-17402-44	44-17402-45
		Compressor Sound Cover	68-23427-26	68-23427-26	68-23427-26	68-23427-26	68-23427-25
		Compressor Hard Start Kit	SK-A1	SK-A1	SK-A1	SK-A1	SK-A1
		Heat Pump Thermostat Warning Light	RXPX-D01	RXPX-D01	RXPX-D01	RXPX-D01	RXPX-D01

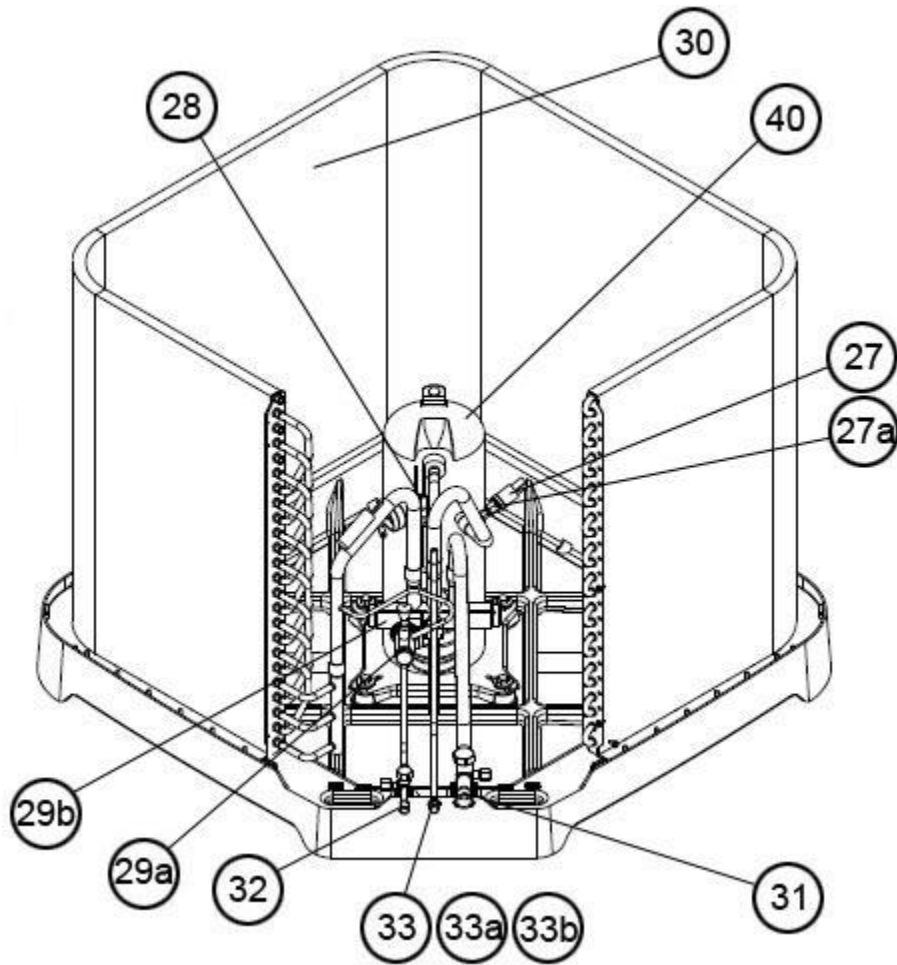
No.	Notes	MODEL COOLING CAPACITY VARIATION	RP14AZ 48 AJ2NA	RP14AZ 60 AJ2NA			
ACCESSORIES							
		Low Ambient Control	RXAD-A08	RXAD-A08			
		Compressor Crankcase Heater	44-17402-45	44-17402-45			
		Compressor Sound Cover	68-23427-25	68-23427-25			
		Compressor Hard Start Kit	SK-A1	SK-A1			
		Heat Pump Thermostat Warning Light	RXPX-D01	RXPX-D01			



Exploded View



Control Box



Valve Mounting, Compressor

NOTES

Stk It is recommended that stock be maintained for this part.

N/A Not Applicable

1 For units produced before W5120, when replacing the grille assembly you will also need to replace the grille center cap at the same time

(*) *NOTE*: Parts with an asterisk (*) denote new parts for M1 products only.

DISCLAIMER: This document is intended to provide general replacement parts information to aid qualified service personnel in the repair of these models. The complete Model and Serial Number of the unit under repair should be specified when selecting and ordering replacement parts. Specifications and illustrations are subject to change without notice. Document 92-42800-RP14AZ supersedes all previous parts lists for these models. See <http://www.rheempartslists.net/92-42800-RP14AZ> for the latest revision of this document. The manufacturer assumes no obligation for errors or omissions. Service personnel must verify the proper and safe operation of equipment after the replacement of any original components.