



# RP20

Parts List  
26-January-2022



*This parts list is current as of the above revision date.  
See <http://www.rheempartslists.net/92-42800-RP20.pdf> for the current revision.*

Heat Pumps

# Table of Contents

Model Explanation .....	Page 3
<b>Parts Numbers</b>	
Panels .....	Page 4
Electrical-Fan Group (1) .....	Page 5
Electrical-Fan Group (2) .....	Page 6
Coil Parts .....	Page 7
Compressor Group .....	Page 8
<b>Drawings/Photographs</b>	
Exploded View .....	Page 9
Control Box .....	Page 10
Compressor .....	Page 11
Valve Mounting .....	Page 12
Reversing Valve, Compressor - Top .....	Page 13
Reversing Valve, Compressor - Side .....	Page 14
Charge Compensator, B-Series .....	Page 15
Notes/Disclaimer .....	Page 16

**MODEL NUMBER EXPLANATION**

<b>R</b>	<b>P</b>	<b>2</b>	<b>0</b>	<b>2</b>	<b>4</b>	<b>A</b>	<b>J</b>	<b>V</b>	<b>C</b>	<b>A</b>
1	2	3		4		5	6	7	8	9

- |   |  |
|---|--|
| <p>(1) <b>Brand</b></p> <p>(2) <b>Product Category</b><br/>P = Heat Pump</p> <p>(3) <b>Seer</b><br/>20 = 20 SEER</p> <p>(4) <b>COOLING CAPACITY (BTU/HR)</b><br/>018 = 18,000<br/>024 = 24,000<br/>030 = 30,000<br/>036 = 36,000<br/>042 = 42,000<br/>048 = 48,000<br/>060 = 60,000</p> | <p>(5) <b>MAJOR SERIES</b><br/>A = First Major Design Series<br/>B = Second Design Series</p> <p>(6) <b>VOLTAGE</b><br/>J = 208-230/1/60<br/>C = 208-230/3/60<br/>D = 460/3/60</p> <p>(7) <b>TYPE</b><br/>V = Inverter</p> <p>(8) <b>CONTROLS</b><br/>C = Communicating</p> <p>(9) <b>MINOR SERIES</b><br/>A = First Design Series</p> |
|---|--|

**SERIAL NUMBER EXPLANATION**

<b>W</b>	<b>0</b>	<b>8</b>	<b>1</b>	<b>3</b>	<b>9</b>	<b>9</b>	<b>9</b>	<b>9</b>
(1)	(2)		(3)		(4)			

- (1) **PLANT CODE**  
W = West Nuevo Laredo
- (2) **WEEK OF PRODUCTION**
- (3) **YEAR OF PRODUCTION**
- (4) **PRODUCTION NUMBER**

**Note: For Compressor Identification Number, see Compressor Code on Rating Plate**

No.	Notes	MODEL COOLING CAPACITY VARIATION	RP20 24 AJVCA	RP20 36 AJVCA	RP20 48 AJVCA	RP20 60 AJVCA
<b>SHEET METAL PARTS, MISCELLANEOUS</b>						
1		Front Louver Panel (Panel/Label/Badge Assembly)	68-105597-09	68-105597-03	68-105597-05	68-105597-05
		Badge	91-104924-05	91-104924-05	91-104924-05	91-104924-05
		Front Panel Louver Label	91-105328-08	91-105328-08	91-105328-08	91-105328-08
2		Left Panel	AE-104456-39	AE-104456-47	AE-104456-50	AE-104456-50
3,4		Right/ Back Panel	AE-104456-38	AE-104456-46	AE-104456-49	AE-104456-49
5		Base Pan	68-104457-03	68-104457-03	68-104457-03	68-104457-03
6		Control Box	10-105640-01	10-105640-01	10-105640-01	10-105640-01
7		Control Box Cover	AS-104462-02H	AS-104462-02H	AS-104462-02H	AS-104462-02H
8		Control Box Bracket	AS-104460-07H	AS-104460-09H	AS-104460-10H	AS-104460-10H
9		Service Door	AS-104525-01H	AS-104525-01H	AS-104525-01H	AS-104525-01H
10		Center Post (2)	AS-104459-07H	AS-104459-11H	AS-104459-13H	AS-104459-13H
11		Corner Post (2)	AS-104469-04H	AS-104469-06H	AS-104469-07H	AS-104469-07H
12		Corner Post	AS-104469-04H	AS-104469-06H	AS-104469-07H	AS-104469-07H
13		Top Panel	AS-104458-03H	AS-104458-03H	AS-104458-03H	AS-104458-03H
14		Venturi	68-104464-07	68-104464-07	68-104464-07	68-104464-09
15		Grille	95-104620-04	95-104620-04	95-104620-04	95-104620-04
		Center Cap - Blank (for Grille)	91-106416-00	91-106416-00	91-106416-00	91-106416-00
		Center Cap Label w/Center Cap	91-106416-23	91-106416-23	91-106416-23	91-106416-23
		Service Valve - Suction	See Coil Group			
		Service Valve - Liquid	See Coil Group			
		Touch-up Paint - Granite/Steel Gray (Aerosol)	PD523018	PD523018	PD523018	PD523018
		Touch-up Paint - Granite/Steel Gray (Paint Pens)	PD523019	PD523019	PD523019	PD523019

No.	Notes	MODEL COOLING CAPACITY VARIATION	RP20 24 BJVCA	RP20 36 BJVCA	RP20 48 BJVCA	RP20 60 BJVCA
<b>SHEET METAL PARTS, MISCELLANEOUS</b>						
1		Front Louver Panel (Panel/Label/Badge Assembly)	68-105597-03	68-105597-05	68-105597-05	68-105597-05
		Badge	91-104924-05	91-104924-05	91-104924-05	91-104924-05
		Front Panel Louver Label	91-105328-08	91-105328-08	91-105328-08	91-105328-08
2		Left Panel	AE-104456-47	AE-104456-50	AE-104456-50	AE-104456-50
3,4		Right/ Back Panel	AE-104456-46	AE-104456-49	AE-104456-49	AE-104456-49
5		Base Pan	68-104457-03	68-104457-03	68-104457-03	68-104457-03
6		Control Box	AE-104461-02	AE-104461-02	AE-104461-02	AE-104461-02
7		Control Box Cover	AS-104462-02H	AS-104462-02H	AS-104462-02H	AS-104462-02H
8		Control Box Bracket	AS-104460-09H	AS-104460-10H	AS-104460-10H	AS-104460-10H
9		Service Door	AS-104525-01H	AS-104525-01H	AS-104525-01H	AS-104525-01H
10		Center Post (2)	AS-104459-11H	AS-104459-13H	AS-104459-13H	AS-104459-13H
11		Corner Post (2)	AS-104469-06H	AS-104469-07H	AS-104469-07H	AS-104469-07H
12		Corner Post	AS-104469-06H	AS-104469-07H	AS-104469-07H	AS-104469-07H
13		Top Panel	AS-104458-03H	AS-104458-03H	AS-104458-03H	AS-104458-03H
14		Venturi	68-104464-07	68-104464-07	68-104464-07	68-104464-09
15		Grille	95-104620-04	95-104620-04	95-104620-04	95-104620-04
		Center Cap - Blank (for Grille)	91-106416-00	91-106416-00	91-106416-00	91-106416-00
		Center Cap Label w/Center Cap	91-106416-23	91-106416-23	91-106416-23	91-106416-23
		Service Valve - Suction	See Coil Group			
		Service Valve - Liquid	See Coil Group			
		Touch-up Paint - Granite/Steel Gray (Aerosol)	PD523018	PD523018	PD523018	PD523018
		Touch-up Paint - Granite/Steel Gray (Paint Pens)	PD523019	PD523019	PD523019	PD523019

No.	Notes	MODEL COOLING CAPACITY VARIATION	RP20 24 AJVCA	RP20 36 AJVCA	RP20 48 AJVCA	RP20 60 AJVCA
<b>ELECTRICAL/FAN GROUP</b>						
20	Stk	Fan Motor	51-102870-05	51-105035-01	51-105035-01	51-105035-01
21	Stk	Fan Blade	70-102345-15	70-102345-15	70-102345-15	70-102345-09
22		Ground Lug	45-19000-05	45-19000-05	45-19000-05	45-19000-05
24a	Stk	Variable Speed Control Board - EcoNet	47-104848-01	47-104848-01	47-104848-01	47-104848-01
		Control - Identity EEPROM (Before W5017)	47-102738-118	47-102738-119	47-102738-120	47-102738-121
		Control - Identity EEPROM (On or After W5017)	47-102738-151	47-102738-152	47-102738-153	47-102738-154
24b	Stk	EMI Filter Board	47-105222-01	47-105222-01	47-105222-01	47-105222-01
24c	Stk	Power Inverter Board	47-105221-02	47-105221-02	47-105221-03	47-105221-04
24d		Choke	46-105466-02	46-105466-02	46-105466-03	46-105466-03
24e		Terminal Block	45-23222-02	45-23222-02	45-23222-02	45-23222-02
24f		Locking Wing Push Mount Tie	64-25340-02	64-25340-02	64-25340-02	64-25340-02
24g		Universal Bushing	45-103252-02	45-103252-02	45-103252-02	45-103252-02
26		Double Ground Lug	45-19000-05	45-19000-05	45-19000-05	45-19000-05
		Low Ambient Control	See Accessories Group			
27	Stk	Suction Pressure Transducer (SPT)	47-103454-05	47-103454-05	47-103454-05	47-103454-05
27a		Valve Body - Low Pressure Control	61-18542-01	61-18542-01	61-18542-01	61-18542-01
28	Stk	High Pressure Control	47-103669-04	47-103669-04	47-103669-04	47-103669-04
		Thermistor - Discharge Line	47-102710-18	47-102710-18	47-102710-18	47-102710-18
		Thermistor - Compressor Shell Temp (CPT)	47-102710-12	47-102710-22	47-102710-22	47-102710-22
		Thermistor - (2 Sensors) Coil Sensor (EVAPIN), Suction Line (OST)	47-108211-04	47-108211-02	47-108211-02	47-108211-03
		Thermistor - Outdoor Air Temp (OAT)	47-102709-06	47-102709-06	47-102709-06	47-102709-06
		Pressure Transducer	47-103454-05	47-103454-05	47-103454-05	47-103454-05
		Wire Harness - Pressure Transducer (SPT)	45-104130-03	45-104130-03	45-104130-03	45-104130-03
		Wire Harness - Control Board	45-104991-01	45-104991-01	45-104991-01	45-104991-01
		Wire Harness - Filter to Inverter	45-104991-03	45-104991-03	45-104991-03	45-104991-03
		Wire Harness - Terminal Block to Filter	45-104991-04	45-104991-04	45-104991-04	45-104991-04

No.	Notes	MODEL COOLING CAPACITY VARIATION	RP20 24 BJVCA	RP20 36 BJVCA	RP20 48 BJVCA	RP20 60 BJVCA
<b>ELECTRICAL/FAN GROUP</b>						
20	Stk	Fan Motor	51-105035-01	51-105035-01	51-105035-01	51-105035-01
21	Stk	Fan Blade	70-102345-15	70-102345-15	70-102345-15	70-102345-15
22		Ground Lug	45-19000-05	45-19000-05	45-19000-05	45-19000-05
24a	Stk	Variable Speed Control Board - EcoNet	47-104848-02	47-104848-02	47-104848-02	47-104848-02
		Control - Identity EEPROM	47-102738-134	47-102738-135	47-102738-136	47-102738-137
24b	Stk	EMI Filter Board	47-105222-01	47-105222-01	47-105222-01	47-105222-01
24c	Stk	Power Inverter Board	47-105221-02	47-105221-03	47-105221-03	47-105221-03
24d		Choke	46-105466-02	46-105466-03	46-105466-03	46-105466-03
24e		Terminal Block	45-23222-02	45-23222-02	45-23222-02	45-23222-02
24f		Locking Wing Push Mount Tie	64-25340-02	64-25340-02	64-25340-02	64-25340-02
24g		Universal Bushing	45-103252-02	45-103252-02	45-103252-02	45-103252-02
26		Double Ground Lug	45-19000-05	45-19000-05	45-19000-05	45-19000-05
		Low Ambient Control	See Accessories Group			
27	Stk	Suction Pressure Transducer (SPT)	47-103454-05	47-103454-05	47-103454-05	47-103454-05
27a		Valve Body - Low Pressure Control	61-18542-01	61-18542-01	61-18542-01	61-18542-01
28	Stk	High Pressure Control	47-103669-04	47-103669-04	47-103669-04	47-103669-04
29	Stk	Liquid Pressure Transducer (LPT)	47-103454-01	47-103454-01	47-103454-01	47-103454-01
		Thermistor - Discharge Line	47-102710-18	47-102710-18	47-102710-18	47-102710-18
		Thermistor - (2 Sensors) Compressor Shell Temp (CPT), Liquid Line (OLT)	47-102710-32	47-102710-32	47-102710-32	47-102710-32
		Thermistor - (2 Sensors) Coil Sensor (EVAPIN), Suction Line (OST)	47-108211-01	47-108211-02	47-108211-02	47-108211-03
		Thermistor - Outdoor Air Temp (OAT)	47-102709-06	47-102709-06	47-102709-06	47-102709-06
		Wire Harness - Suction Pressure Transducer (SPT)	45-104130-03	45-104130-03	45-104130-03	45-104130-03
		Wire Harness - Liquid Pressure Transducer (LPT)	45-104130-05	45-104130-05	45-104130-05	45-104130-05
		Wire Harness - Control Board	45-104991-01	45-104991-01	45-104991-01	45-104991-01
		Wire Harness - Filter to Inverter	45-104991-03	45-104991-03	45-104991-03	45-104991-03
		Wire Harness - Terminal Block to Filter	45-104991-04	45-104991-04	45-104991-04	45-104991-04

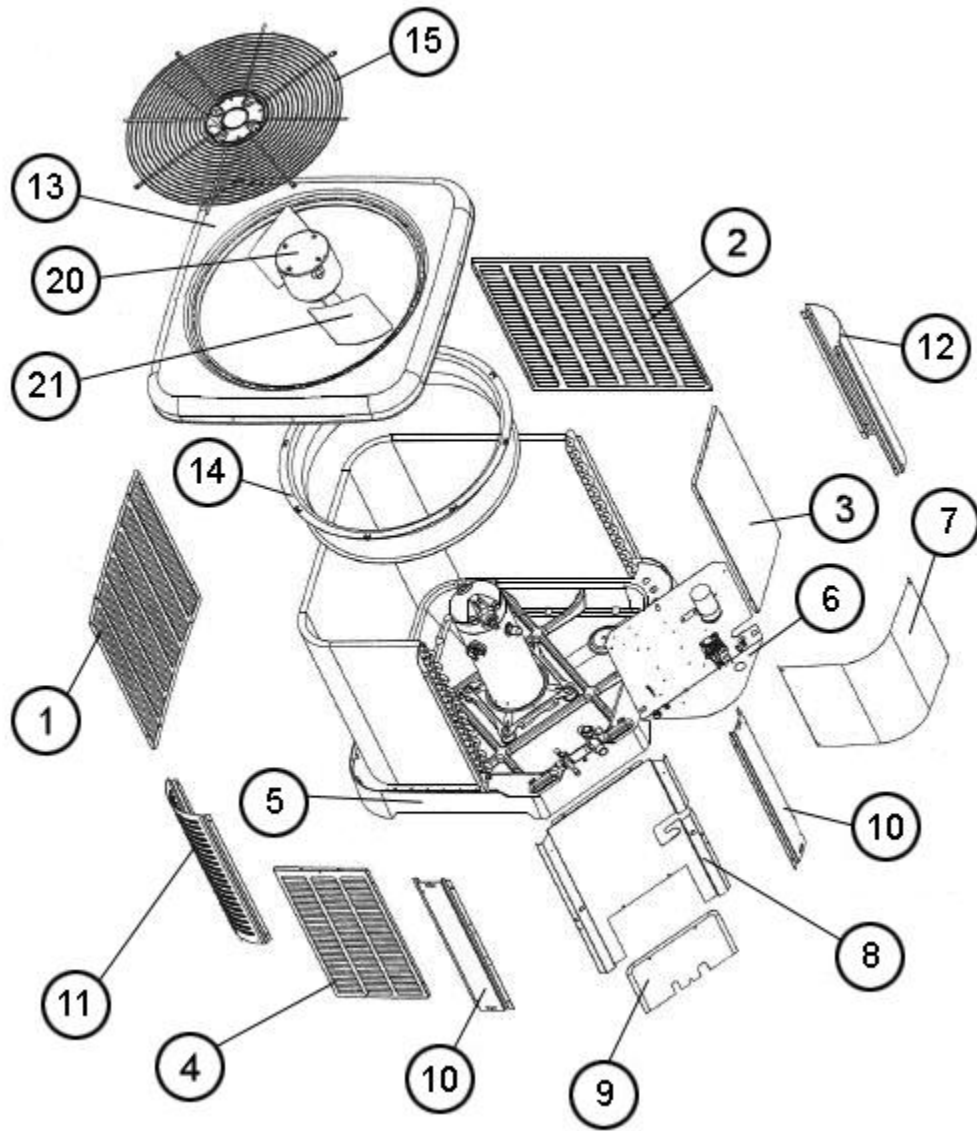
No.	Notes	MODEL COOLING CAPACITY VARIATION	RP20	RP20	RP20	RP20
			24 AJVCA	36 AJVCA	48 AJVCA	60 AJVCA
<b>COIL GROUP</b>						
27	Stk	Low Pressure Transducer	See Electrical Group			
28	Stk	High Pressure Control	See Electrical Group			
30	Stk	Condenser Coil	AS-105834-03	AS-105613-03	AS-105848-03	AS-106215-01
31		Service Valve - Suction	61-104914-03	61-104914-03	61-104914-04	61-104914-04
32		Service Valve - Liquid	61-104914-05	61-104914-05	61-104914-05	61-104914-05
33		Bulkhead Valve	61-22369-04	61-22369-04	61-22369-04	61-22369-04
33a		Valve Core	61-18551-01	61-18551-01	61-18551-01	61-18551-01
33b		Valve Cap	83-100635-01	83-100635-01	83-100635-01	83-100635-01
33c		Locknut - Bulkhead Valve	63-22368-01	63-22368-01	63-22368-01	63-22368-01
	Stk	Filter Drier	83-41719-02	83-41719-02	83-41719-02	83-41719-02
35		Muffler	See Compressor Group			
36		Accumulator	83-22459-05	83-22459-05	83-22459-09	83-22459-09
37	Stk	EEV	61-103151-05	61-103151-06	61-103151-06	61-103151-06
37a	Stk	Coil - EEV	61-103151-08	61-103151-08	61-103151-08	61-103151-08
37b		Distributor Assembly (with strainer)	83-102186-02	83-102186-06	83-102186-02	83-102186-03
38	Stk	Reversing Valve	61-102498-13	61-102498-14	61-102498-14	61-102498-12
	Stk	Solenoid Coil - Reversing Valve	61-101713-92	61-101713-92	61-101713-92	61-101713-92
		Wiring Harness - Reversing Valve	61-26149-03	61-26149-03	61-26149-03	61-26149-03

No.	Notes	MODEL COOLING CAPACITY VARIATION	RP20	RP20	RP20	RP20
			24 BJVCA	36 BJVCA	48 BJVCA	60 BJVCA
<b>COIL GROUP</b>						
27	Stk	Low Pressure Transducer	See Electrical Group			
28	Stk	High Pressure Control	See Electrical Group			
30	Stk	Condenser Coil	AS-106743-03	AS-105848-03	AS-105848-03	AS-106256-03
31		Service Valve - Suction	61-104914-03	61-104914-04	61-104914-04	61-104914-04
32		Service Valve - Liquid	61-104914-05	61-104914-05	61-104914-05	61-104914-05
33		Bulkhead Valve	61-22369-04	61-22369-04	61-22369-04	61-22369-04
33a		Valve Core	61-18551-01	61-18551-01	61-18551-01	61-18551-01
33b		Valve Cap	83-100635-01	83-100635-01	83-100635-01	83-100635-01
33c		Locknut - Bulkhead Valve	63-22368-01	63-22368-01	63-22368-01	63-22368-01
	Stk	Filter Drier	83-41719-02	83-41719-02	83-41719-02	83-41719-02
35		Muffler	See Compressor Group			
36		Accumulator	83-104716-01	83-104716-02	83-104716-02	83-104716-02
36a		Charge Compensator	83-104499-06	83-104499-06	83-104499-02	83-104499-05
37	Stk	EEV	61-103151-05	61-103151-06	61-103151-06	61-103151-06
37a	Stk	Coil - EEV	61-103151-08	61-103151-08	61-103151-08	61-103151-08
37b		Distributor Assembly (with strainer)	83-101782-12	83-102186-02	83-102186-02	83-102186-03
38	Stk	Reversing Valve	61-102498-13	61-102498-14	61-102498-14	61-102498-12
	Stk	Solenoid Coil - Reversing Valve	61-101713-92	61-101713-92	61-101713-92	61-101713-92
		Wiring Harness - Reversing Valve	61-26149-03	61-26149-03	61-26149-03	61-26149-03

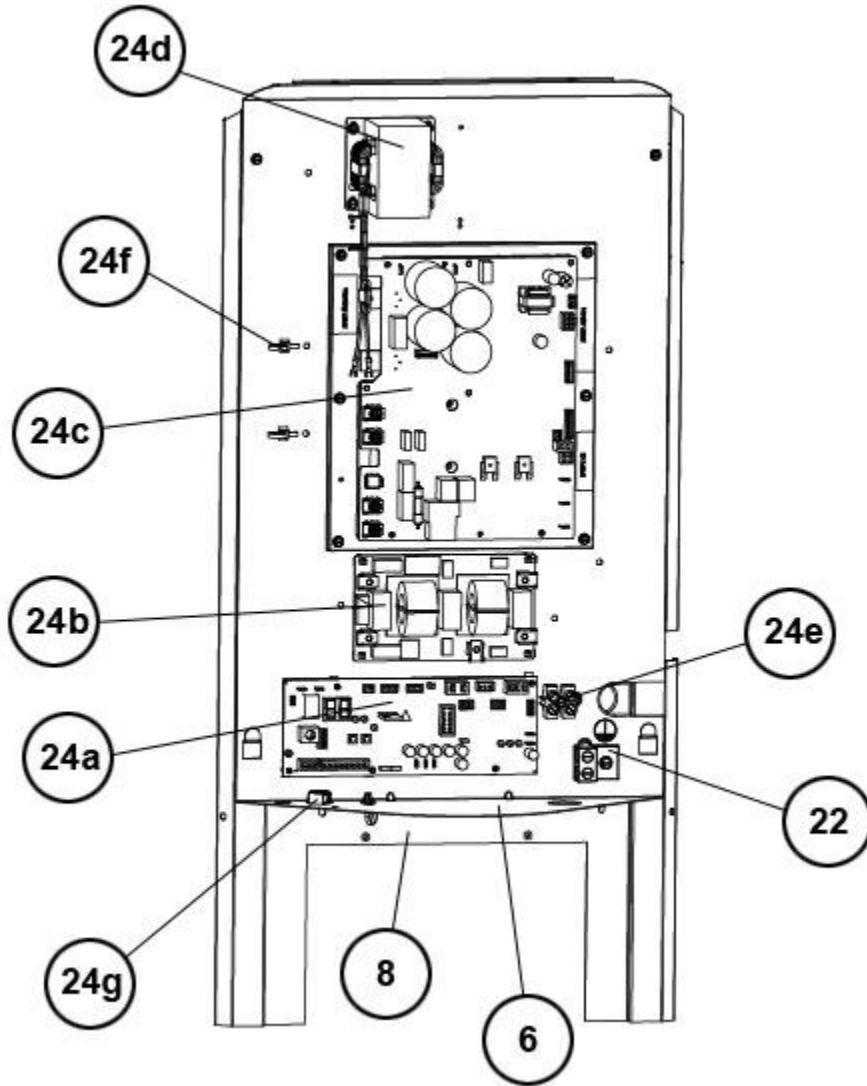
No.	Notes	MODEL COOLING CAPACITY VARIATION	RP20 24 AJVCA	RP20 36 AJVCA	RP20 48 AJVCA	RP20 60 AJVCA
<b>COMPRESSOR GROUP</b>						
		<b>Compressor ID:</b>	<b>9146</b>	<b>9147</b>	<b>9148</b>	<b>9149</b>
40	Stk	Compressor	55-102045-105S	55-102045-106S	55-102045-106S	55-102045-150
		Compressor Grommet (4)	56-18518-19	56-18518-19	56-18518-19	56-18518-19
		Compressor Bolt (4)	63-20072-07	63-20072-07	63-20072-07	63-20072-07
	Stk	Compressor Wiring Harness	45-100834-13	45-100834-13	45-100834-12	45-100834-12
		Charge Compensator	See Coil Group			
		Accumulator	See Coil Group			
		Muffler	83-104416-01	83-104416-01	83-104416-01	83-104416-01
		Filter Drier	See Coil Group			

No.	Notes	MODEL COOLING CAPACITY VARIATION	RP20 24 BJVCA	RP20 36 BJVCA	RP20 48 BJVCA	RP20 60 BJVCA
<b>COMPRESSOR GROUP</b>						
		<b>Compressor ID:</b>	<b>9247</b>	<b>9248</b>	<b>9249</b>	<b>9250</b>
40	Stk	Compressor	55-102045-105S	55-102045-106S	55-102045-106S	55-102045-150
		Compressor Grommet (4)	56-18518-19	56-18518-19	56-18518-19	56-18518-19
		Compressor Bolt (4)	63-20072-07	63-20072-07	63-20072-07	63-20072-07
	Stk	Compressor Wiring Harness	45-100834-13	45-100834-12	45-100834-12	45-100834-12
		Charge Compensator	See Coil Group			
		Accumulator	See Coil Group			
		Muffler	83-104416-01	83-104416-01	83-104416-01	83-104416-01
		Filter Drier	See Coil Group			

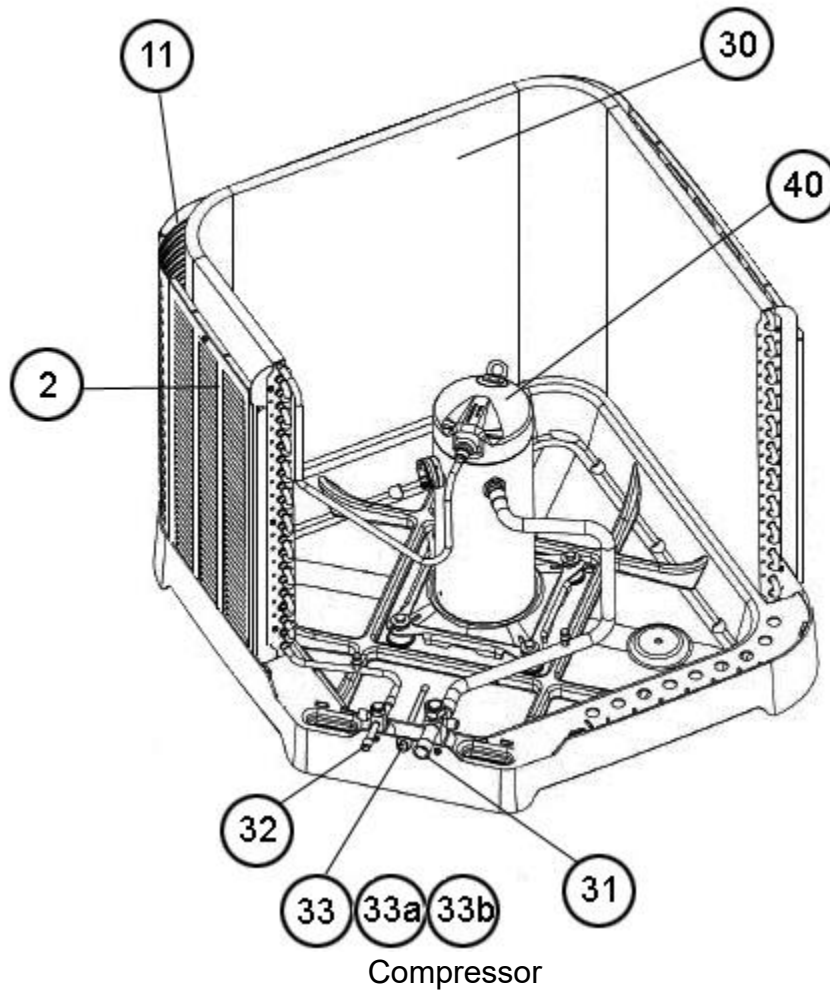


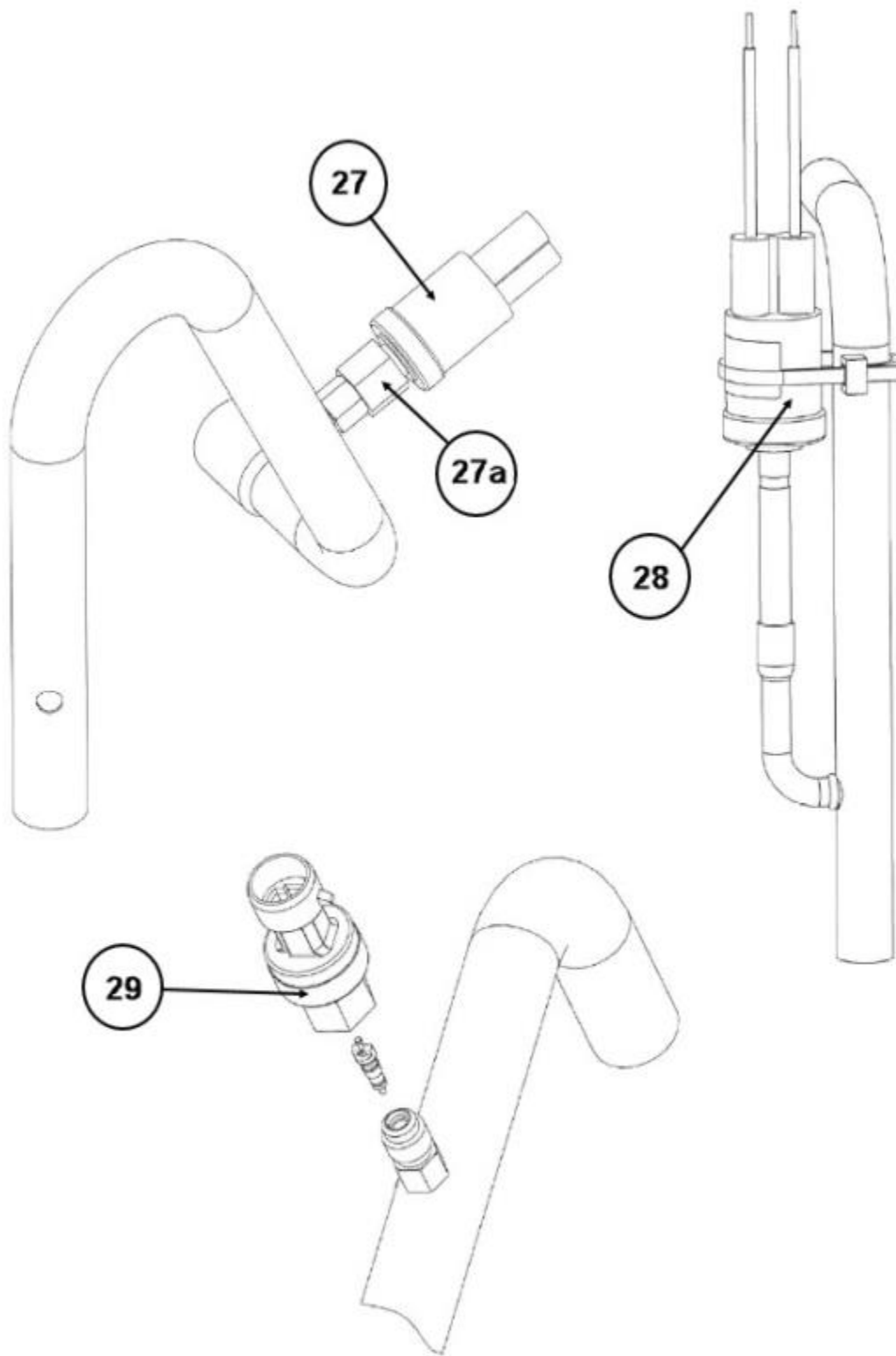


Exploded View

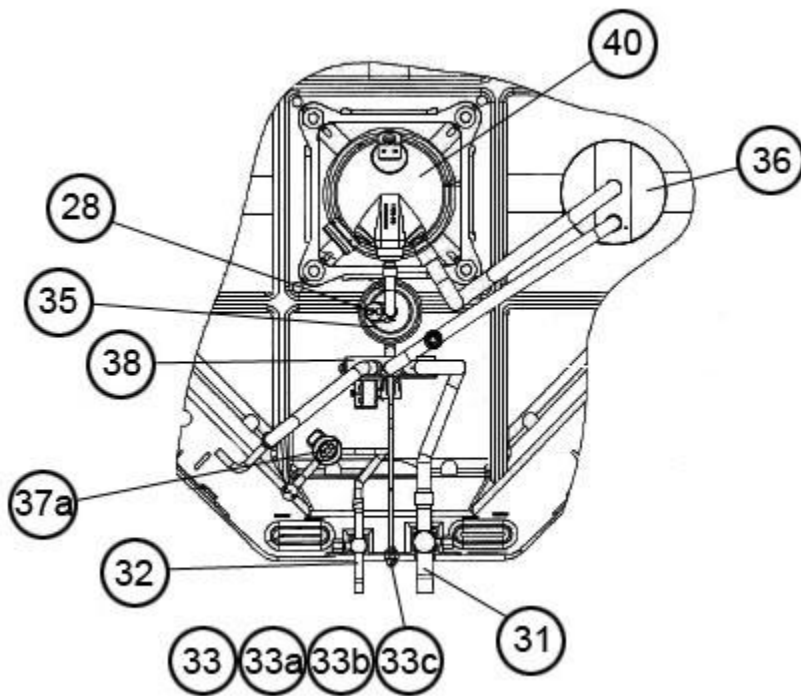


Control Box

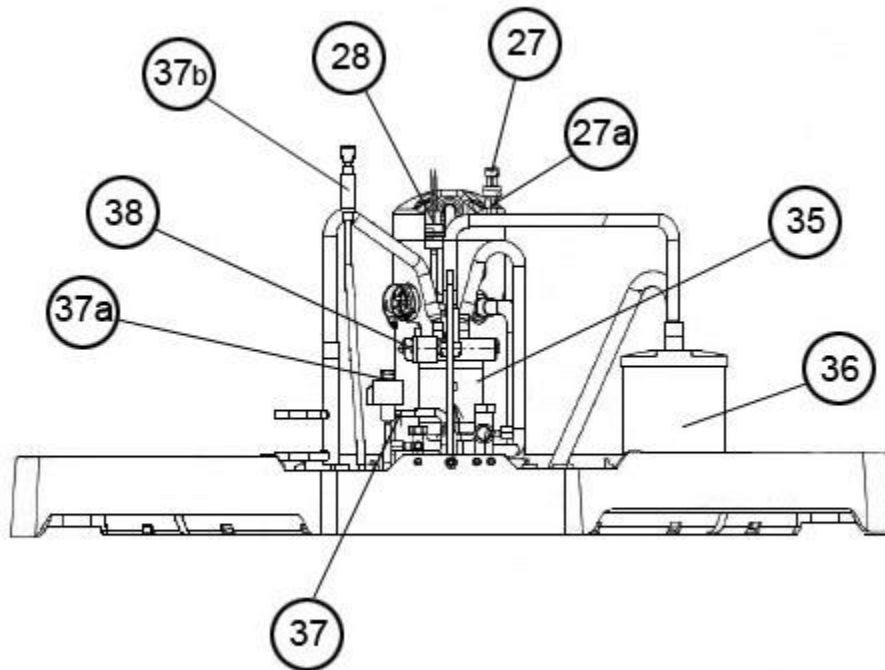




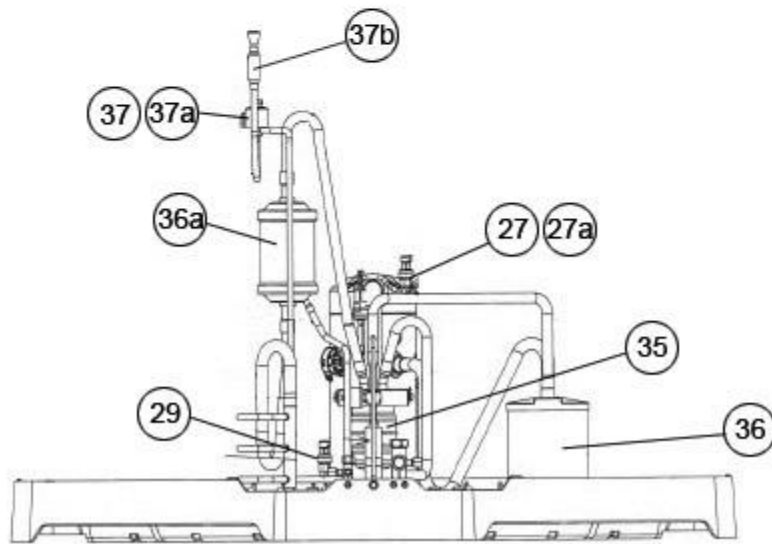
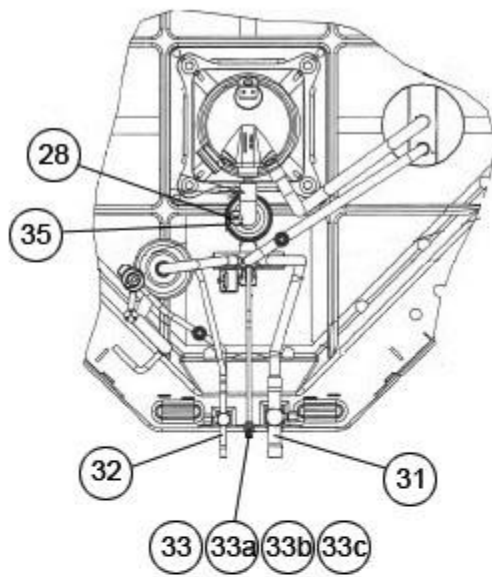
### Valve Mounting



Reversing Valve, Compressor - Top



Reversing Valve, Compressor - Side



Charge Compensator, B-Series

# NOTES

Stk It is recommended that stock be maintained for this part.  
N/A Not Applicable

**DISCLAIMER:** This document is intended to provide general replacement parts information to aid qualified service personnel in the repair of these models. The complete Model and Serial Number of the unit under repair should be specified when selecting and ordering replacement parts. Specifications and illustrations are subject to change without notice. Document 92-42800-RP20 supersedes all previous parts lists for these models. See <http://www.rheempartslists.net/92-42800-RP20> for the latest revision of this document. The manufacturer assumes no obligation for errors or omissions. Service personnel must verify the proper and safe operation of equipment after the replacement of any original components.