

# Model 501 Media Installation

## CAUTION

Turn off unit and unplug air cleaner before servicing.

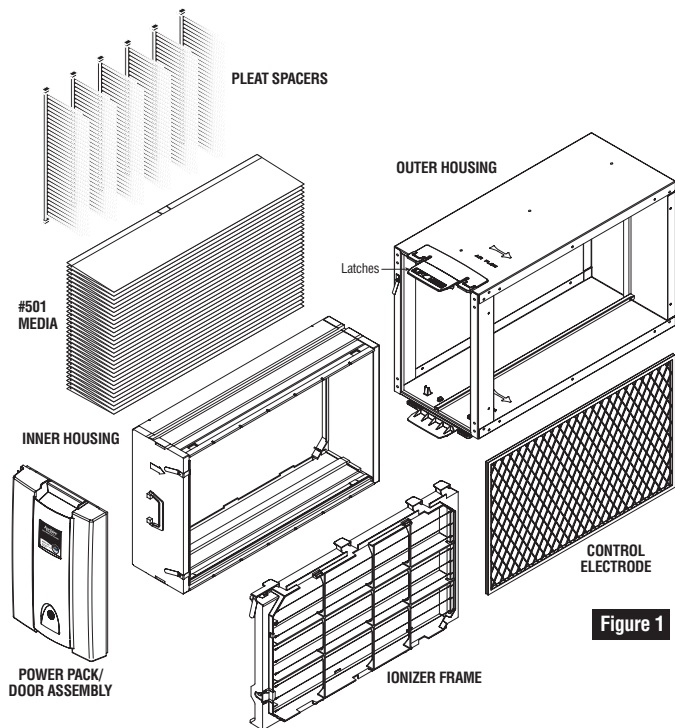


Figure 1

**Step 1:** Remove power pack/door assembly from air cleaner by lifting latch and pulling on recessed handle (see Figure 1 for air cleaner components).

**Step 2:** Slide out inner housing assembly (inner housing, ionizer frame and control electrode).

**Step 3:** Lay the inner housing assembly on a flat surface so pleat spacers are visible (see Figure 2).

**Step 4:** Remove pleat spacers by rotating and lifting both ends (see Figure 2).

**Step 5:** Open both end panels by pressing buttons labeled "Press to open" (see Figure 2).

**Step 6:** Open both hinged flaps by lifting along entire edge labeled "Lift here" (see Figure 3).

**Step 7:** Lift media from inner assembly and discard media.

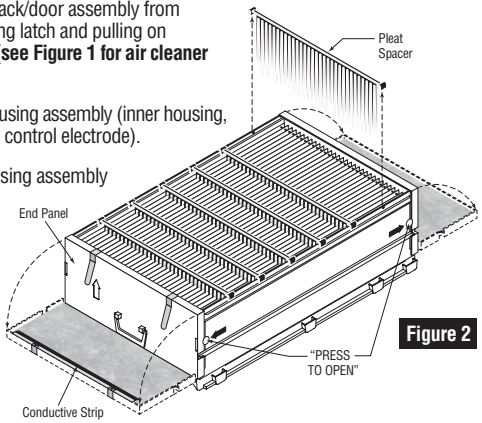


Figure 2

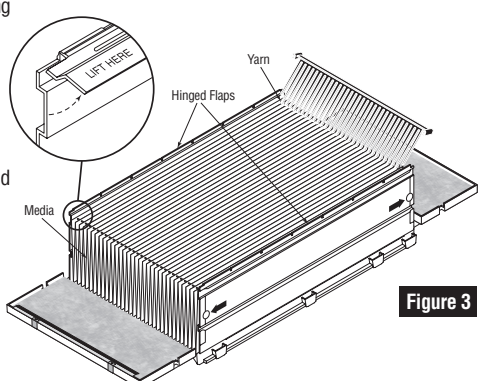


Figure 3

**Step 8:** Place one cardboard edge of new media over the hooks on the inner housing and through the slots in the cardboard (see Figure 4).

**Step 9:** Expand the media and place the other cardboard edge over the opposite hooks.

**Step 10:** Close the hinged flaps by snapping them in place.

**Step 11:** With the media pleats evenly spaced, rest the first pleat spacer on the yarn at either end, then carefully insert one pleat spacer finger into each pleat (see Figure 3).

**Step 12:** Position pleat spacer to align with notches on the inner housing. Use first pleat spacer as a guide for inserting remaining pleat spacers.

**Step 13:** Snap pleat spacers down into inner housing notches.

**Step 14:** Close both end panels and flip assembly over so control electrode is up.

**Step 15:** Remove control electrode by lifting up on end opposite inner housing handle and sliding out of ionizer frame (see Figure 5).

**Step 16:** Wipe the control electrode with a clean cloth or vacuum it with a brush attachment.

**Step 17:** Using a damp cloth, gently wipe all dust from ionizer frame.

**Step 18:** Slide control electrode into ionizer frame until it snaps into place.

**Step 19:** Slide inner housing assembly into outer housing.

**Step 20:** Replace power pack/door assembly.

**Step 21:** Return power to furnace / air handler and plug in air cleaner. Turn it on. To check air cleaner operation, activate furnace / air handler blower motor.

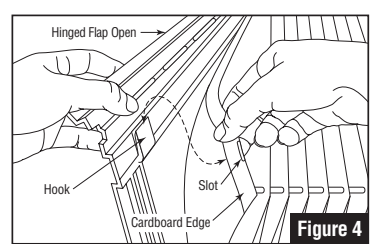


Figure 4

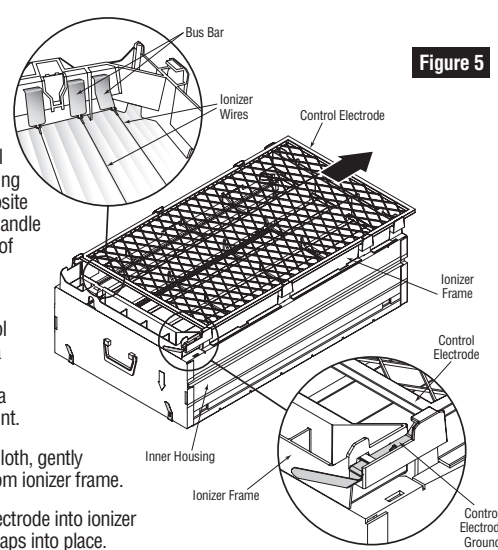


Figure 5

When the air cleaner is operating correctly and the following conditions are met, the light on the power pack/door assembly will be on:

- The air cleaner is correctly assembled and installed.
- The power pack/door assembly is fully closed.
- The unit is plugged into a 120 VAC outlet that is live when the furnace / air handler blower is running.
- The switch is in the ON position.
- The furnace/air handler blower is running.

If those conditions are met and the light flashes or does not come on, the air cleaner circuit is not being activated. Consult Trouble Shooting Guide in Homeowner's Manual.

